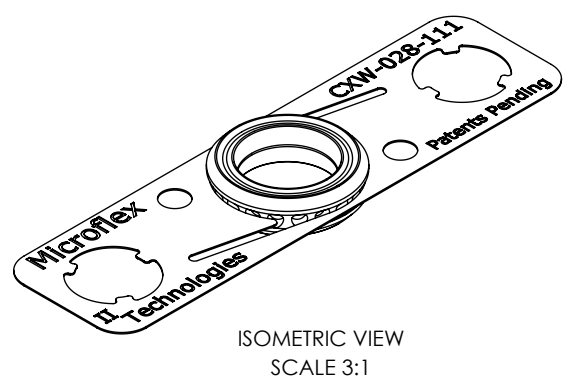
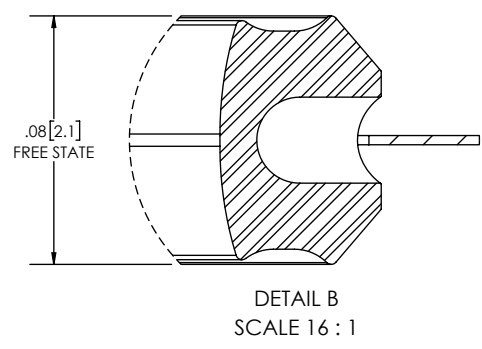
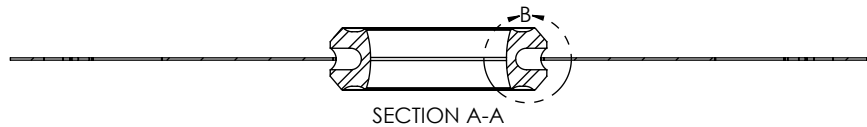
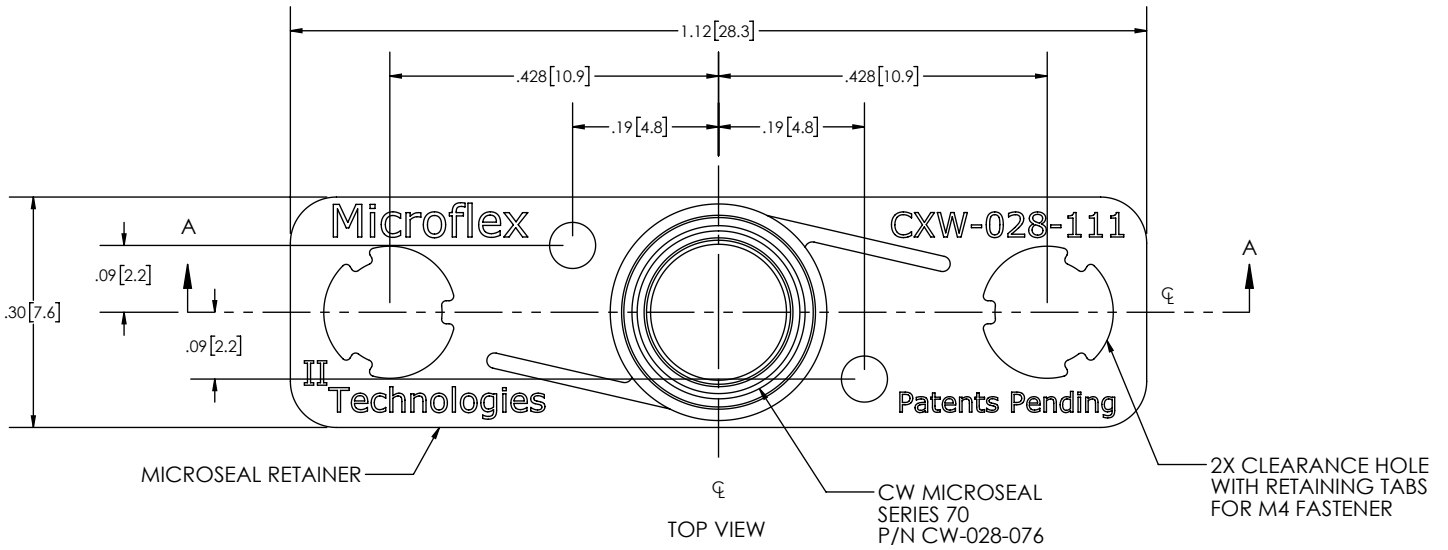


REVISIONS			
REV.	DESCRIPTION	APPROVED	DATE
1	INITIAL RELEASE	GMD	10/11/21
2	CHANGED SEAL DESIGN	GMD	9/7/23



GENERAL NOTES:
1. PACKAGING: TRIPLE BAG

MICROFLEX TECHNOLOGIES PROPRIETARY INFORMATION
THIS DRAWING IS THE EXCLUSIVE PROPERTY OF MICROFLEX TECHNOLOGIES LLC, AND EMBODIES A CONFIDENTIAL DESIGN. IT HAS BEEN FORWARDED TO YOU IN STRICT CONFIDENCE FOR A SPECIFIC PURPOSE AND AS A RECIPIENT YOU AGREE NOT TO USE, DISCLOSE, REPRODUCE OR COPY IT IN WHOLE OR IN PART WITHOUT THE EXPRESS WRITTEN CONSENT OF MICROFLEX TECHNOLOGIES LLC, AND TO IMMEDIATELY RETURN THE DRAWING UPON REQUEST.

UNLESS OTHERWISE SPECIFIED:	
DIMENSIONS ARE IN INCHES	
DIMENSIONS IN [] ARE IN MILLIMETERS	
TOLERANCES:	
FRACTIONAL ± N/A	
ANGULAR: MACH ± .5°	
TWO PLACE DECIMAL ± .01	
THREE PLACE DECIMAL ± .003	
MATERIAL	N/A
FINISH	N/A

APPROVALS		DATE
DRWG: JWM		9/7/23
ENG: JWM		9/7/23
CAL: GMD		9/7/23
THIRD ANGLE PROJECTION		

430 W Collins Ave, Orange, CA 92867			
TITLE: CW MICROSEAL ASSEMBLY, SERIES 70, 1.125" COMPONENT, 1 PORT			
SIZE	SCALE	DRAWING NO.	REV
C	4:1	CXW-028-111	2
DO NOT SCALE DRAWING			SHEET 1 OF 1