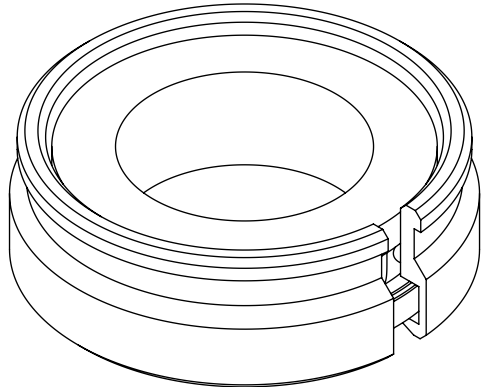
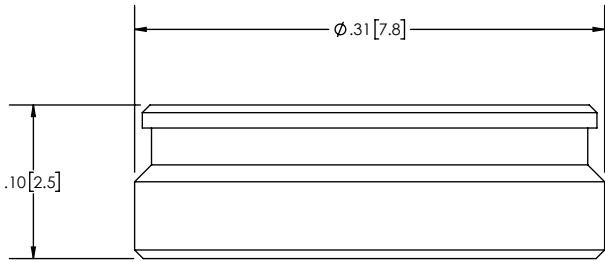
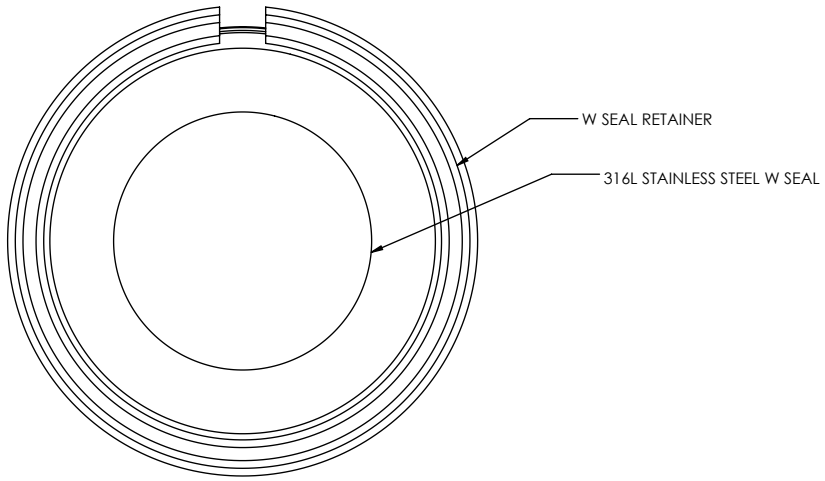


REVISIONS			
REV.	DESCRIPTION	APPROVED	DATE
1	INITIAL RELEASE	GMD	7/30/24



MICROFLEX TECHNOLOGIES PROPRIETARY INFORMATION
 THIS DRAWING IS THE EXCLUSIVE PROPERTY OF MICROFLEX TECHNOLOGIES LLC. AND EMBODIES A CONFIDENTIAL DESIGN. IT HAS BEEN FORWARDED TO YOU IN STRICT CONFIDENCE FOR A SPECIFIC PURPOSE AND AS A RECIPIENT YOU AGREE NOT TO USE, DISCLOSE, REPRODUCE OR COPY IT IN WHOLE OR IN PART WITHOUT THE EXPRESS WRITTEN CONSENT OF MICROFLEX TECHNOLOGIES LLC. AND TO IMMEDIATELY RETURN THE DRAWING UPON REQUEST.

UNLESS OTHERWISE SPECIFIED:	APPROVALS	DATE
DIMENSIONS ARE IN INCHES DIMENSIONS IN [] ARE IN MILLIMETERS	DRWG: JWM	7/30/24
TOLERANCES:	ENG: JWM	7/30/24
FRACTIONAL \pm N/A	CAL: GMD	7/30/24
ANGULAR: MACH $\pm .5^\circ$	THIRD ANGLE PROJECTION	
TWO PLACE DECIMAL $\pm .01$		
THREE PLACE DECIMAL $\pm .003$		
MATERIAL N/A		
FINISH N/A		

APPROVALS	DATE
DRWG: JWM	7/30/24
ENG: JWM	7/30/24
CAL: GMD	7/30/24
THIRD ANGLE PROJECTION	

Microflex Technologies 430 W COLLINS AVE, ORANGE, CA 92867			
TITLE:		W SEAL ASSEMBLY, TYPE 31, SERIES 70	
SIZE C	SCALE 8:1	DRAWING NO. W2A-031-074	REV 1
DO NOT SCALE DRAWING			SHEET 1 OF 1