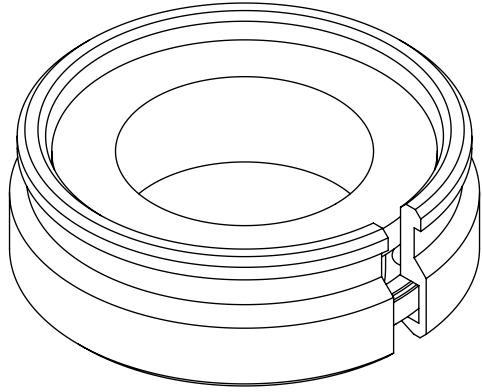
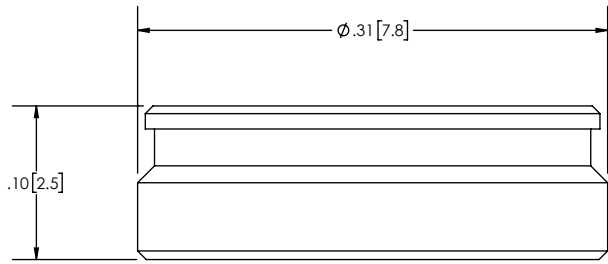
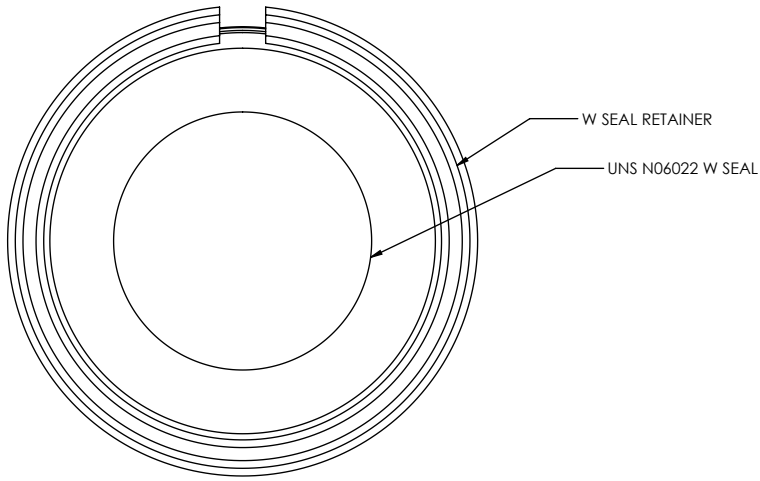


REVISIONS			
REV.	DESCRIPTION	APPROVED	DATE
1	INITIAL RELEASE	GMD	5/1/24



- GENERAL NOTES:
- RETAINER MATERIAL: STAINLESS STEEL 300 SERIES
 - SEAL MATERIAL: UNS N06022

MICROFLEX TECHNOLOGIES PROPRIETARY INFORMATION

THIS DRAWING IS THE EXCLUSIVE PROPERTY OF MICROFLEX TECHNOLOGIES LLC. AND EMBODIES A CONFIDENTIAL DESIGN. IT HAS BEEN FORWARDED TO YOU IN STRICT CONFIDENCE FOR A SPECIFIC PURPOSE AND AS A RECIPIENT YOU AGREE NOT TO USE, DISCLOSE, REPRODUCE OR COPY IT IN WHOLE OR IN PART WITHOUT THE EXPRESS WRITTEN CONSENT OF MICROFLEX TECHNOLOGIES LLC. AND TO IMMEDIATELY RETURN THE DRAWING UPON REQUEST.

UNLESS OTHERWISE SPECIFIED:	APPROVALS	DATE
DIMENSIONS ARE IN INCHES DIMENSIONS IN [] ARE IN MILLIMETERS	DRWG: JWM	5/1/24
TOLERANCES:	ENG: JWM	5/1/24
FRACTIONAL ± N/A	CAL: GMD	5/1/24
ANGULAR: MACH ± .5°	THIRD ANGLE PROJECTION	
TWO PLACE DECIMAL ± .01		
THREE PLACE DECIMAL ± .003		
MATERIAL SEE GENERAL NOTES		
FINISH N/A		

	Microflex Technologies 430 W COLLINS AVE, ORANGE, CA 92867		
TITLE: W SEAL ASSEMBLY, UNS N06022			
SIZE C	SCALE 8:1	DRAWING NO. W2A-031-068-H	REV 1
DO NOT SCALE DRAWING		SHEET 1 OF 1	