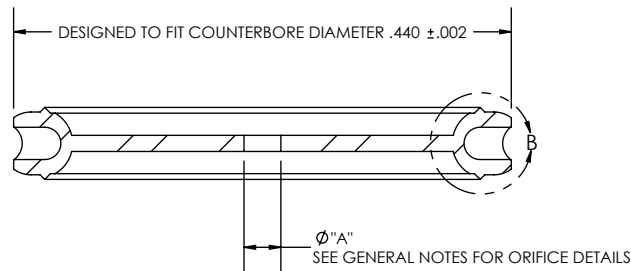
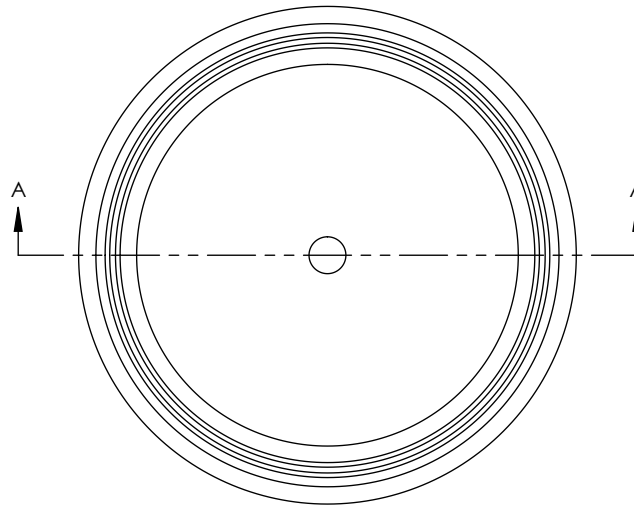
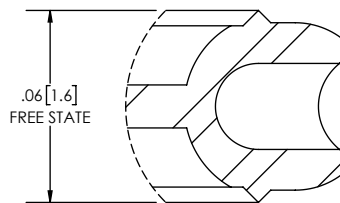


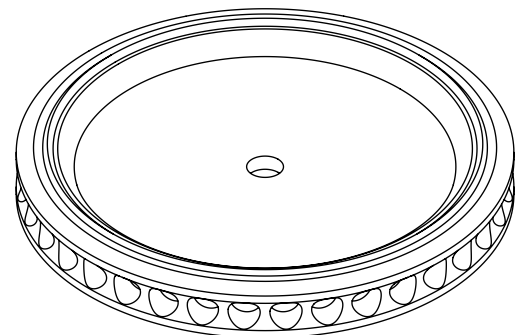
REVISIONS			
REV.	DESCRIPTION	APPROVED	DATE
3	INITIAL RELEASE	GMD	3/25/22



SECTION A-A




DETAIL B  
SCALE 16 : 1



- GENERAL NOTES:
- ORIFICE Ø "A" RANGE FROM .0120"-.3200"
  - ORIFICE Ø "A" TOLERANCE ±.0005"
  - ORIFICE Ø "A" REPLACES XXXX IN PART NUMBER

**MICROFLEX TECHNOLOGIES PROPRIETARY INFORMATION**  
 THIS DRAWING IS THE EXCLUSIVE PROPERTY OF MICROFLEX TECHNOLOGIES LLC, AND EMBODIES A CONFIDENTIAL DESIGN. IT HAS BEEN FORWARDED TO YOU IN STRICT CONFIDENCE FOR A SPECIFIC PURPOSE AND AS A RECIPIENT YOU AGREE NOT TO USE, DISCLOSE, REPRODUCE OR COPY IT IN WHOLE OR IN PART WITHOUT THE EXPRESS WRITTEN CONSENT OF MICROFLEX TECHNOLOGIES LLC, AND TO IMMEDIATELY RETURN THE DRAWING UPON REQUEST.

UNLESS OTHERWISE SPECIFIED:	APPROVALS	DATE
DIMENSIONS ARE IN INCHES	DWG: JWM	3/25/22
DIMENSIONS IN [ ] ARE IN MILLIMETERS	ENG: JWM	3/25/22
TOLERANCES:	CAL: GMD	3/25/22
FRACTIONAL ± N/A	THIRD ANGLE PROJECTION	
ANGULAR: MACH ± .5°		
TWO PLACE DECIMAL ± .01		
THREE PLACE DECIMAL ± .003		
MATERIAL STAINLESS STEEL		
316L VIM/VAR		
FINISH N7		

 <b>Microflex Technologies</b> 430 W COLLINS AVE, ORANGE, CA 92887			
TITLE: MICROSEAL TYPE 43, SERIES 60 SEMI PR3.1 FLUID DELIVERY SYSTEM, 0.XXXX" ORIFICE			
SIZE	SCALE	DRAWING NO.	REV
C	6:1	MS-043-062-XXXX	3
DO NOT SCALE DRAWING			SHEET 1 OF 1