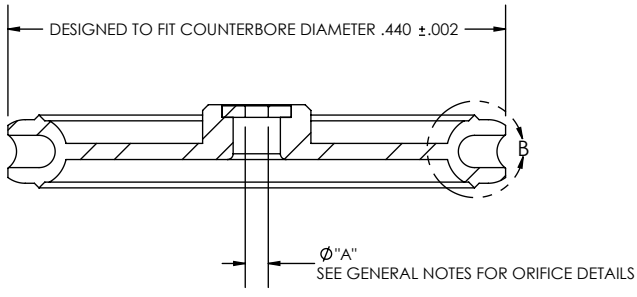
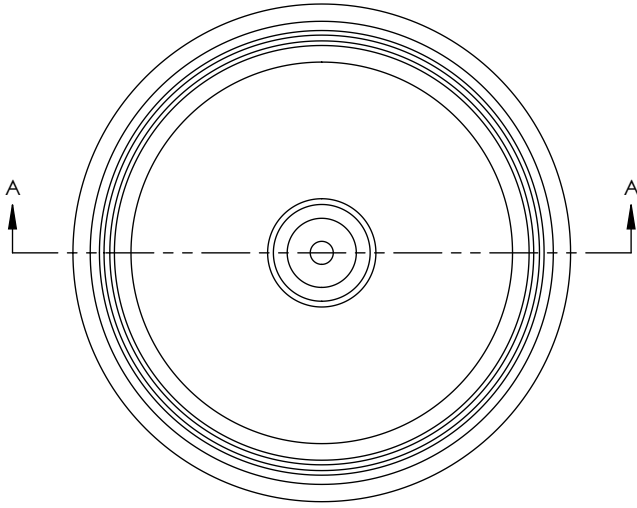
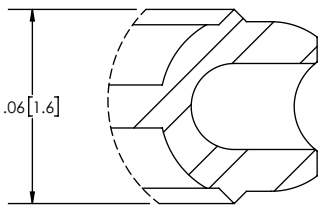


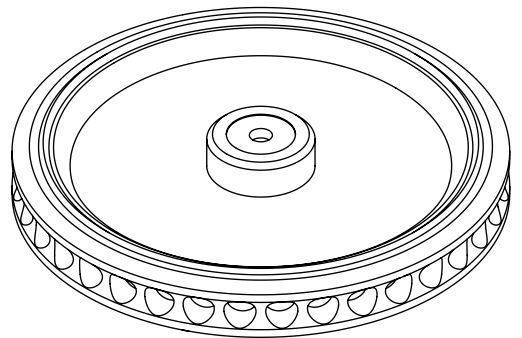
REVISIONS			
REV.	DESCRIPTION	APPROVED	DATE
3	INITIAL RELEASE	GMD	3/25/22



SECTION A-A



DETAIL B
SCALE 16 : 1



GENERAL NOTES:
 1. ORIFICE SIZE OPTIONS AND ASSOCIATED PNS ON PAGE 2
 2. ORIFICE Ø"A" REPLACES XXXX IN PART NUMBER

MICROFLEX TECHNOLOGIES PROPRIETARY INFORMATION
 THIS DRAWING IS THE EXCLUSIVE PROPERTY OF MICROFLEX TECHNOLOGIES LLC, AND EMBODIES A CONFIDENTIAL DESIGN. IT HAS BEEN FORWARDED TO YOU IN STRICT CONFIDENCE FOR A SPECIFIC PURPOSE AND AS A RECIPIENT YOU AGREE NOT TO USE, DISCLOSE, REPRODUCE OR COPY IT IN WHOLE OR IN PART WITHOUT THE EXPRESS WRITTEN CONSENT OF MICROFLEX TECHNOLOGIES LLC, AND TO IMMEDIATELY RETURN THE DRAWING UPON REQUEST.

UNLESS OTHERWISE SPECIFIED:	
DIMENSIONS ARE IN INCHES DIMENSIONS IN [] ARE IN MILLIMETERS	
TOLERANCES:	
FRACTIONAL ± N/A	
ANGULAR: MACH ± .5°	
TWO PLACE DECIMAL ± .01	
THREE PLACE DECIMAL ± .003	
MATERIAL	STAINLESS STEEL
	316L VIM/VAR
FINISH	N7

APPROVALS		DATE
DRWG:	JWM	3/25/22
ENG:	JWM	3/25/22
CAL:	GMD	3/25/22
THIRD ANGLE PROJECTION		

TITLE: MISCROSEAL TYPE 43, SERIES 60 SEMI PR3.1 FLUID DELIVERY SYSTEM, 0.XXXX" RUBY ORIFICE			
SIZE	SCALE	DRAWING NO.	REV
C	6:1	MS-043-062-SXXXX	3
DO NOT SCALE DRAWING			SHEET 1 OF 2

.060" OD, .010" THICK ORIFICE	
MICROFLEX P/N	ORIFICE ϕ "A" - .0000/+ .0002
MS-043-062-S0004	0.0004"
MS-043-062-S0005	0.0005"
MS-043-062-S0006	0.0006"
MS-043-062-S0008	0.0008"
MS-043-062-S0010	0.0010"
MS-043-062-S0012	0.0012"
MS-043-062-S0014	0.0014"
MS-043-062-S0016	0.0016"
MS-043-062-S0017	0.0017"
MS-043-062-S0018	0.0018"
MS-043-062-S0020	0.0020"
MS-043-062-S0022	0.0022"
MS-043-062-S0025	0.0025"
MS-043-062-S0026	0.0026"
MS-043-062-S0030	0.0030"
MS-043-062-S0035	0.0035"
MS-043-062-S0040	0.0040"
MS-043-062-S0045	0.0045"
MS-043-062-S0046	0.0046"
MS-043-062-S0050	0.0050"
MS-043-062-S0055	0.0055"
MS-043-062-S0060	0.0060"
MS-043-062-S0065	0.0065"
MS-043-062-S0070	0.0070"
MS-043-062-S0075	0.0075"
MS-043-062-S0080	0.0080"
MS-043-062-S0085	0.0085"
MS-043-062-S0090	0.0090"
MS-043-062-S0095	0.0095"
MS-043-062-S0100	0.0100"
MS-043-062-S0105	0.0105"
MS-043-062-S0107	0.0107"
MS-043-062-S0110	0.0110"
MS-043-062-S0115	0.0115"
MS-043-062-S0116	0.0116"
MS-043-062-S0120	0.0120"
MS-043-062-S0125	0.0125"
MS-043-062-S0129	0.0129"
MS-043-062-S0130	0.0130"
MS-043-062-S0135	0.0135"
MS-043-062-S0140	0.0140"
MS-043-062-S0145	0.0145"
MS-043-062-S0150	0.0150"
MS-043-062-S0155	0.0155"
MS-043-062-S0160	0.0160"
MS-043-062-S0165	0.0165"
MS-043-062-S0168	0.0168"
MS-043-062-S0170	0.0170"
MS-043-062-S0175	0.0175"
MS-043-062-S0180	0.0180"
MS-043-062-S0185	0.0185"
MS-043-062-S0190	0.0190"
MS-043-062-S0195	0.0195"
MS-043-062-S0200	0.0200"
MS-043-062-S0205	0.0205"
MS-043-062-S0210	0.0210"
MS-043-062-S0215	0.0215"
MS-043-062-S0220	0.0220"
MS-043-062-S0225	0.0225"
MS-043-062-S0230	0.0230"
MS-043-062-S0235	0.0235"
MS-043-062-S0240	0.0240"
MS-043-062-S0250	0.0250"
MS-043-062-S0260	0.0260"
MS-043-062-S0270	0.0270"
MS-043-062-S0280	0.0280"
MS-043-062-S0290	0.0290"
MS-043-062-S0300	0.0300"
MS-043-062-S0310	0.0310"
MS-043-062-S0320	0.0320"
MS-043-062-S0330	0.0330"
MS-043-062-S0340	0.0340"
MS-043-062-S0350	0.0350"

.118" OD, .026" THICK ORIFICE	
MICROFLEX P/N	ORIFICE ϕ "A" - .0000/+ .0002
MS-043-062-SL0050	0.0050"
MS-043-062-SL0055	0.0055"
MS-043-062-SL0060	0.0060"
MS-043-062-SL0065	0.0065"
MS-043-062-SL0070	0.0070"
MS-043-062-SL0075	0.0075"
MS-043-062-SL0080	0.0080"
MS-043-062-SL0085	0.0085"
MS-043-062-SL0090	0.0090"
MS-043-062-SL0095	0.0095"
MS-043-062-SL0100	0.0100"
MS-043-062-SL0105	0.0105"
MS-043-062-SL0110	0.0110"
MS-043-062-SL0115	0.0115"
MS-043-062-SL0118	0.0118"
MS-043-062-SL0120	0.0120"
MS-043-062-SL0130	0.0130"
MS-043-062-SL0135	0.0135"
MS-043-062-SL0140	0.0140"
MS-043-062-SL0145	0.0145"
MS-043-062-SL0150	0.0150"
MS-043-062-SL0160	0.0160"
MS-043-062-SL0170	0.0170"
MS-043-062-SL0180	0.0180"
MS-043-062-SL0200	0.0200"
MS-043-062-SL0210	0.0210"
MS-043-062-SL0220	0.0220"
MS-043-062-SL0230	0.0230"
MS-043-062-SL0240	0.0240"
MS-043-062-SL0250	0.0250"
MS-043-062-SL0260	0.0260"
MS-043-062-SL0270	0.0270"
MS-043-062-SL0275	0.0275"
MS-043-062-SL0280	0.0280"
MS-043-062-SL0290	0.0290"
MS-043-062-SL0300	0.0300"
MS-043-062-SL0310	0.0310"
MS-043-062-SL0320	0.0320"
MS-043-062-SL0330	0.0330"
MS-043-062-SL0340	0.0340"
MS-043-062-SL0350	0.0350"
MS-043-062-SL0360	0.0360"
MS-043-062-SL0370	0.0370"
MS-043-062-SL0380	0.0380"
MS-043-062-SL0390	0.0390"
MS-043-062-SL0400	0.0400"
MS-043-062-SL0410	0.0410"
MS-043-062-SL0420	0.0420"
MS-043-062-SL0430	0.0430"
MS-043-062-SL0440	0.0440"
MS-043-062-SL0450	0.0450"
MS-043-062-SL0460	0.0460"
MS-043-062-SL0465	0.0465"
MS-043-062-SL0470	0.0470"
MS-043-062-SL0480	0.0480"
MS-043-062-SL0490	0.0490"
MS-043-062-SL0500	0.0500"
MS-043-062-SL0510	0.0510"
MS-043-062-SL0520	0.0520"
MS-043-062-SL0530	0.0530"
MS-043-062-SL0540	0.0540"
MS-043-062-SL0550	0.0550"
MS-043-062-SL0560	0.0560"
MS-043-062-SL0570	0.0570"
MS-043-062-SL0580	0.0580"
MS-043-062-SL0590	0.0590"
MS-043-062-SL0600	0.0600"
MS-043-062-SL0610	0.0610"
MS-043-062-SL0620	0.0620"
MS-043-062-SL0625	0.0625"
MS-043-062-SL0630	0.0630"
MS-043-062-SL0640	0.0640"
MS-043-062-SL0650	0.0650"
MS-043-062-SL0660	0.0660"
MS-043-062-SL0680	0.0680"
MS-043-062-SL0700	0.0700"
MS-043-062-SL0720	0.0720"
MS-043-062-SL0730	0.0730"
MS-043-062-SL0750	0.0750"
MS-043-062-SL0780	0.0780"
MS-043-062-SL0810	0.0810"



APPROVALS	DATE
DESIGN: JWM	3/25/22
ENG: JWM	3/25/22
QA: GMD	3/25/22

SIZE	SCALE	DRAWING NO.	REV
C	6:1	MS-043-062-SXXXX	3
DO NOT SCALE DRAWING			SHEET 2 OF 2