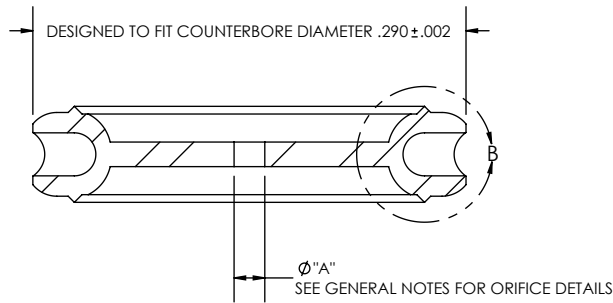
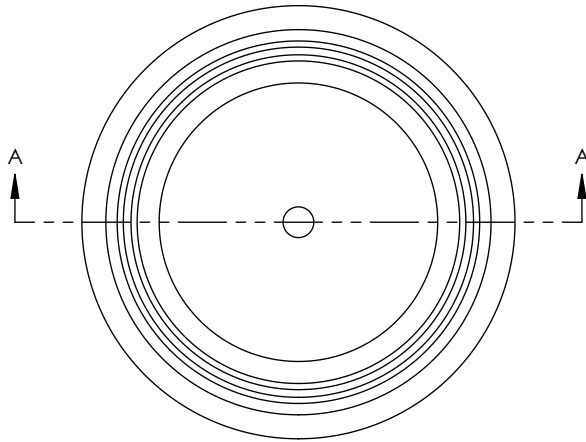
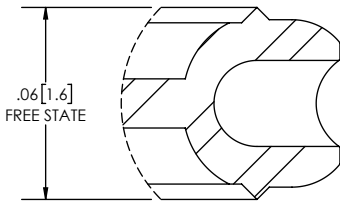


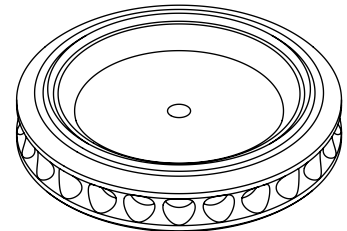
REVISIONS			
REV.	DESCRIPTION	APPROVED	DATE
3	INITIAL RELEASE	GMD	3/25/22



SECTION A-A



DETAIL B
SCALE 16 : 1



GENERAL NOTES:

- ORIFICE $\phi "A"$ RANGE FROM .0120"- .1700"
- ORIFICE $\phi "A"$ TOLERANCE $\pm .0005$ "
- ORIFICE $\phi "A"$ REPLACES XXXX IN PART NUMBER

MICROFLEX TECHNOLOGIES PROPRIETARY INFORMATION

THIS DRAWING IS THE EXCLUSIVE PROPERTY OF MICROFLEX TECHNOLOGIES LLC, AND EMBODIES A CONFIDENTIAL DESIGN. IT HAS BEEN FORWARDED TO YOU IN STRICT CONFIDENCE FOR A SPECIFIC PURPOSE AND AS A RECIPIENT YOU AGREE NOT TO USE, DISCLOSE, REPRODUCE OR COPY IT IN WHOLE OR IN PART WITHOUT THE EXPRESS WRITTEN CONSENT OF MICROFLEX TECHNOLOGIES LLC, AND TO IMMEDIATELY RETURN THE DRAWING UPON REQUEST.

UNLESS OTHERWISE SPECIFIED:

DIMENSIONS ARE IN INCHES
DIMENSIONS IN [] ARE IN MILLIMETERS
TOLERANCES:
FRACTIONAL \pm N/A
ANGULAR: MACH $\pm .5^\circ$
TWO PLACE DECIMAL $\pm .01$
THREE PLACE DECIMAL $\pm .003$

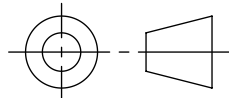
MATERIAL STAINLESS STEEL
316L VIM/VAR

FINISH N7

APPROVALS DATE

DRWG: JWM	3/25/22
ENG: JWM	3/25/22
CAL: GMD	3/25/22

THIRD ANGLE PROJECTION



TITLE: MICROSEAL TYPE 28, SERIES 60
SEMI PR3.1 FLUID DELIVERY
SYSTEM, 0.XXXX" ORIFICE

SIZE	SCALE	DRAWING NO.	REV
C	8:1	MS-028-062-XXXX	3

DO NOT SCALE DRAWING SHEET 1 OF 1