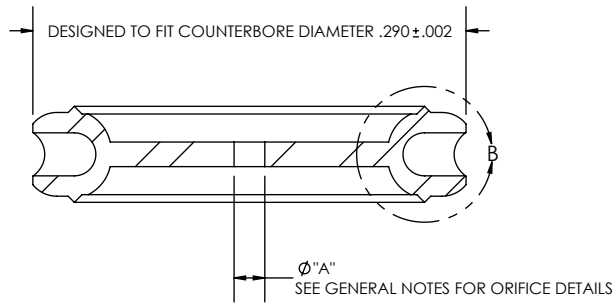
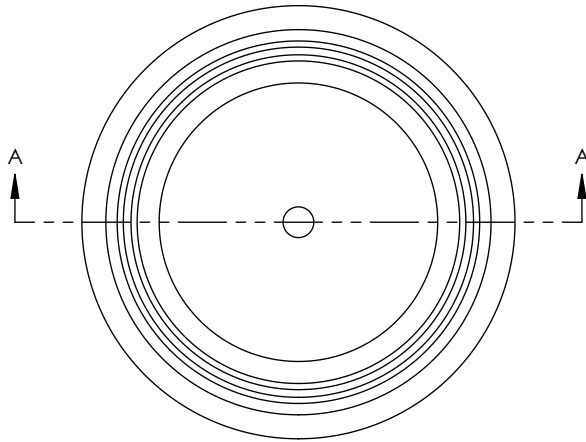
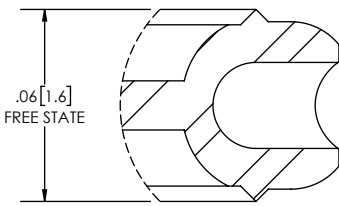


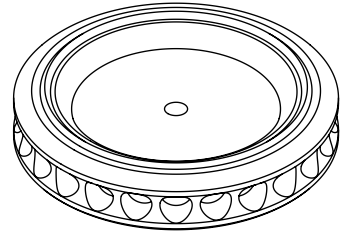
REVISIONS			
REV.	DESCRIPTION	APPROVED	DATE
3	INITIAL RELEASE	GMD	3/25/22



SECTION A-A



DETAIL B  
SCALE 16 : 1



- GENERAL NOTES:
- ORIFICE  $\phi "A"$  RANGE FROM .0120"-.1700"
  - ORIFICE  $\phi "A"$  TOLERANCE  $\pm .0002$ "
  - ORIFICE  $\phi "A"$  REPLACES XXXX IN PART NUMBER

**MICROFLEX TECHNOLOGIES PROPRIETARY INFORMATION**  
 THIS DRAWING IS THE EXCLUSIVE PROPERTY OF MICROFLEX TECHNOLOGIES LLC, AND EMBODIES A CONFIDENTIAL DESIGN. IT HAS BEEN FORWARDED TO YOU IN STRICT CONFIDENCE FOR A SPECIFIC PURPOSE AND AS A RECIPIENT YOU AGREE NOT TO USE, DISCLOSE, REPRODUCE OR COPY IT IN WHOLE OR IN PART WITHOUT THE EXPRESS WRITTEN CONSENT OF MICROFLEX TECHNOLOGIES LLC, AND TO IMMEDIATELY RETURN THE DRAWING UPON REQUEST.

UNLESS OTHERWISE SPECIFIED:	
DIMENSIONS ARE IN INCHES DIMENSIONS IN [ ] ARE IN MILLIMETERS	TOLERANCES:
FRACTIONAL $\pm$ N/A	ANGULAR: MACH $\pm .5^\circ$
TWO PLACE DECIMAL $\pm .01$	THREE PLACE DECIMAL $\pm .003$
MATERIAL STAINLESS STEEL 316L VIM/VAR	FINISH N7

APPROVALS	DATE
DRWG: JWM	3/25/22
ENG: JWM	3/25/22
CAL: GMD	3/25/22
THIRD ANGLE PROJECTION	

TITLE: MICROSEAL TYPE 28, SERIES 60 SEMI PR3.1 FLUID DELIVERY SYSTEM, 0.XXXX" HIGH PRECISION ORIFICE			
SIZE C	SCALE 8:1	DRAWING NO. MS-028-062-HPXXXX	REV 3
DO NOT SCALE DRAWING			SHEET 1 OF 1