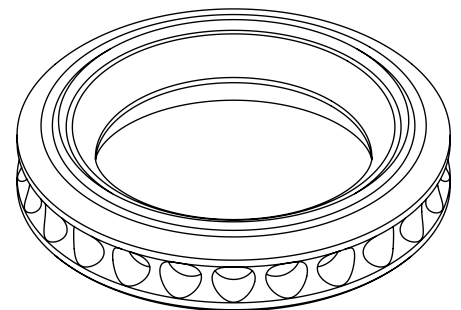
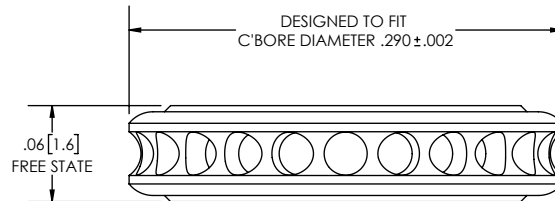
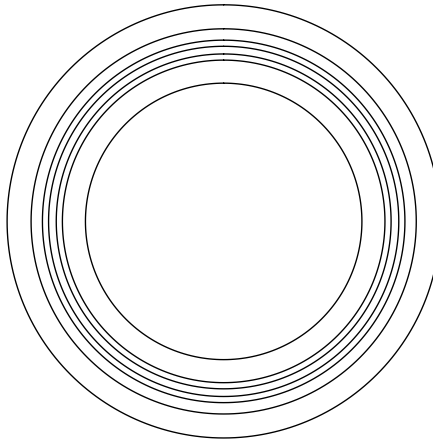


REVISIONS			
REV.	DESCRIPTION	APPROVED	DATE
3	INITIAL RELEASE	GMD	04/14/14



MICROFLEX TECHNOLOGIES PROPRIETARY INFORMATION

THIS DRAWING IS THE EXCLUSIVE PROPERTY OF MICROFLEX TECHNOLOGIES LLC, AND EMBODIES A CONFIDENTIAL DESIGN. IT HAS BEEN FORWARDED TO YOU IN STRICT CONFIDENCE FOR A SPECIFIC PURPOSE AND AS A RECIPIENT YOU AGREE NOT TO USE, DISCLOSE, REPRODUCE OR COPY IT IN WHOLE OR IN PART WITHOUT THE EXPRESS WRITTEN CONSENT OF MICROFLEX TECHNOLOGIES LLC, AND TO IMMEDIATELY RETURN THE DRAWING UPON REQUEST.

UNLESS OTHERWISE SPECIFIED:	APPROVALS	DATE
DIMENSIONS ARE IN INCHES DIMENSIONS IN [] ARE IN MILLIMETERS	DRWG: JWM	12/06/16
TOLERANCES:	ENG: JWM	12/06/16
FRACTIONAL ± N/A	QA: GMD	12/06/16
ANGULAR: MACH ± .5°	THIRD ANGLE PROJECTION	
TWO PLACE DECIMAL ± .01		
THREE PLACE DECIMAL ± .003		
MATERIAL STAINLESS STEEL		
316L VIM/VAR		
FINISH N7		

<p>1185 E. Stanford Ct., Anaheim, CA 92805</p>			
TITLE: MICROSEAL TYPE 28, SERIES 60, SEMI PR3.1 FLUID DELIVERY SYSTEM			
SIZE	SCALE	DRAWING NO.	REV
C	8:1	MS-028-062	3
DO NOT SCALE DRAWING			SHEET 1 OF 1