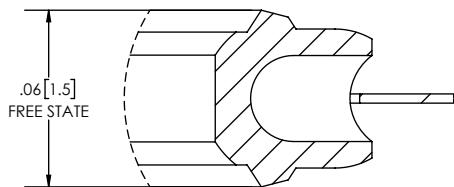
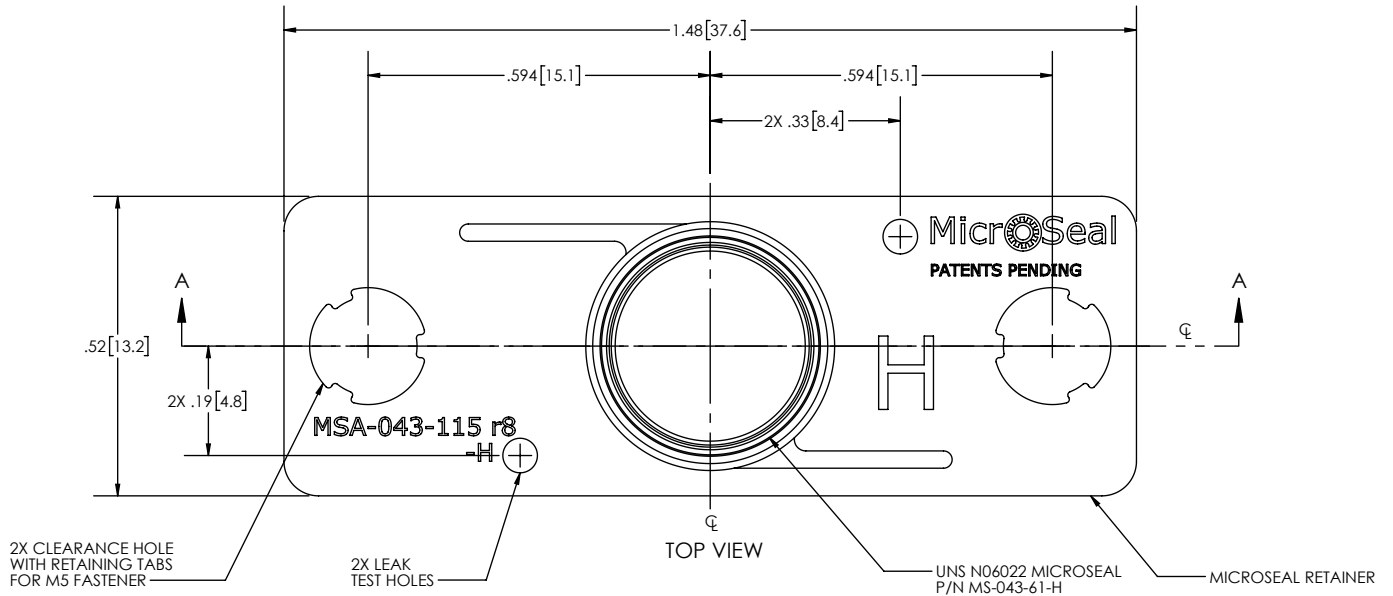
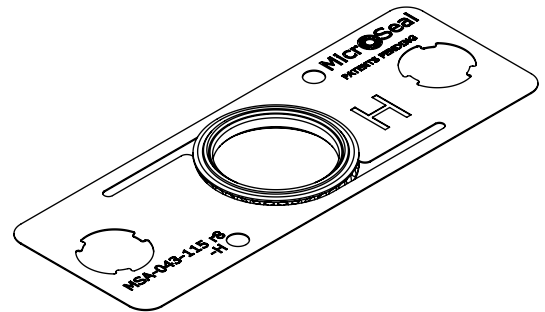


REVISIONS			
REV.	DESCRIPTION	APPROVED	DATE
8	INITIAL RELEASE	GMD	8/11/21



DETAIL B
SCALE 16:1



ISOMETRIC VIEW
SCALE 2:1

GENERAL NOTES:

1. PACKAGING: TRIPLE BAG
2. RETAINER MATERIAL: STAINLESS STEEL 300 SERIES
3. SEAL MATERIAL: UNS N06022

MICROFLEX TECHNOLOGIES PROPRIETARY INFORMATION

THIS DRAWING IS THE EXCLUSIVE PROPERTY OF MICROFLEX TECHNOLOGIES LLC, AND EMBODIES A CONFIDENTIAL DESIGN. IT HAS BEEN FORWARDED TO YOU IN STRICT CONFIDENCE FOR A SPECIFIC PURPOSE AND AS A RECIPIENT YOU AGREE NOT TO USE, DISCLOSE, REPRODUCE OR COPY IT IN WHOLE OR IN PART WITHOUT THE EXPRESS WRITTEN CONSENT OF MICROFLEX TECHNOLOGIES LLC, AND TO IMMEDIATELY RETURN THE DRAWING UPON REQUEST.

UNLESS OTHERWISE SPECIFIED:

DIMENSIONS ARE IN INCHES
DIMENSIONS IN [] ARE IN MILLIMETERS
TOLERANCES:
FRACTIONAL ± N/A
ANGULAR: MACH ± .5°
TWO PLACE DECIMAL ± .01
THREE PLACE DECIMAL ± .003

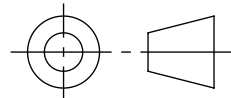
MATERIAL
SEE GENERAL NOTES

FINISH
N/A

APPROVALS

DATE	APPROVED	DATE
3/30/23	JWM	3/30/23
3/30/23	JWM	3/30/23
3/30/23	GMD	3/30/23

THIRD ANGLE PROJECTION



TITLE: MICROSEAL ASSEMBLY, UNS N06022 SEAL, SERIES 60 SURFACE MOUNT, HIGH FLOW COMPONENT 1 PORT, MFC, 1.5" W

SIZE	SCALE	DRAWING NO.	REV
C	3:1	MSA-043-115-H	8

DO NOT SCALE DRAWING SHEET 1 OF 1