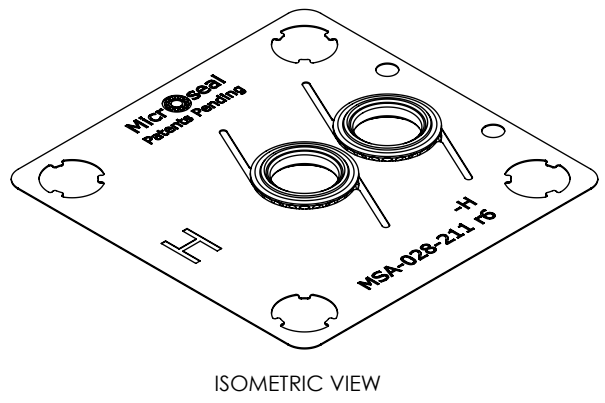
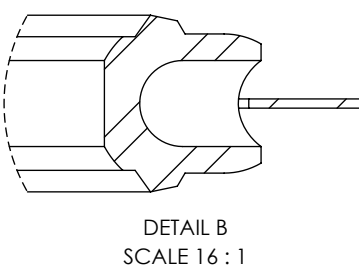
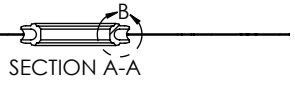
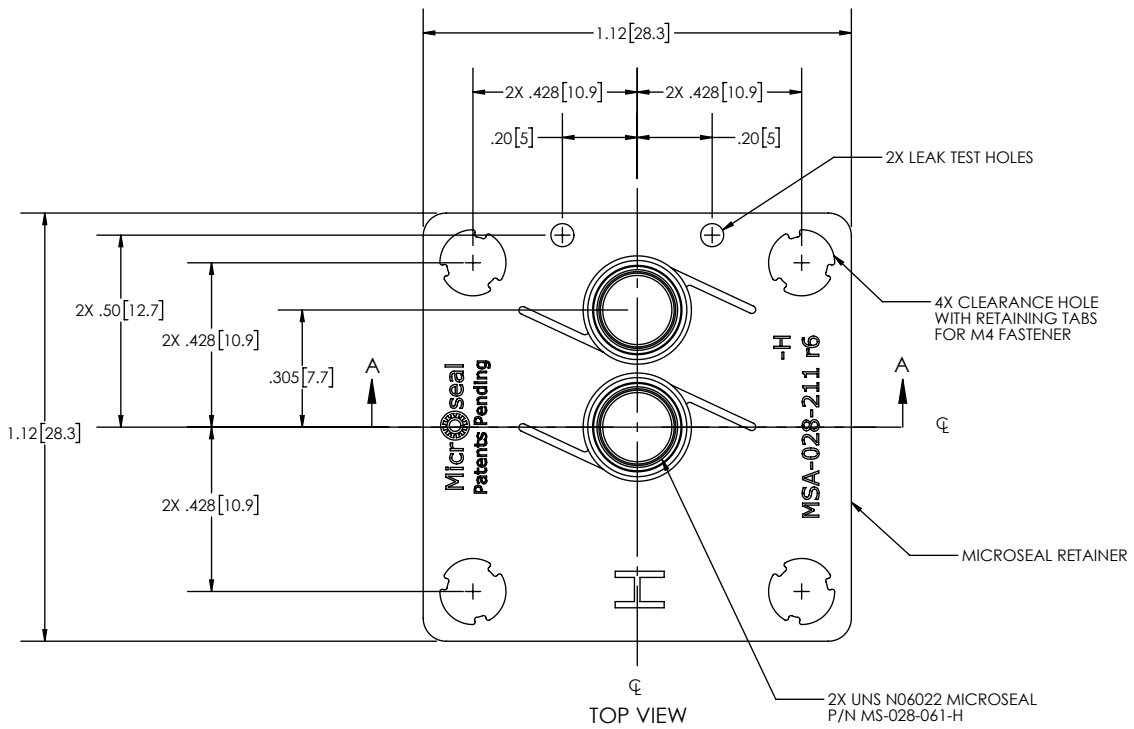


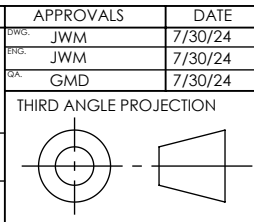
REVISIONS			
REV.	DESCRIPTION	APPROVED	DATE
6	INITIAL RELEASE	GMD	4/12/21



- GENERAL NOTES:
1. PACKAGING: TRIPLE BAG
 2. RETAINER MATERIAL: STAINLESS STEEL 300 SERIES
 3. SEAL MATERIAL: UNS N06022

MICROFLEX TECHNOLOGIES PROPRIETARY INFORMATION
 THIS DRAWING IS THE EXCLUSIVE PROPERTY OF MICROFLEX TECHNOLOGIES LLC, AND EMBODIES A CONFIDENTIAL DESIGN. IT HAS BEEN FORWARDED TO YOU IN STRICT CONFIDENCE FOR A SPECIFIC PURPOSE AND AS A RECIPIENT YOU AGREE NOT TO USE, DISCLOSE, REPRODUCE OR COPY IT IN WHOLE OR IN PART WITHOUT THE EXPRESS WRITTEN CONSENT OF MICROFLEX TECHNOLOGIES LLC, AND TO IMMEDIATELY RETURN THE DRAWING UPON REQUEST.

UNLESS OTHERWISE SPECIFIED:	
DIMENSIONS ARE IN INCHES	DWG: JWM
DIMENSIONS IN [] ARE IN MILLIMETERS	ENG: JWM
TOLERANCES:	CAL: GMD
FRACTIONAL ± N/A	DATE: 7/30/24
ANGULAR: MACH ± .5°	DATE: 7/30/24
TWO PLACE DECIMAL ± .01	
THREE PLACE DECIMAL ± .003	
MATERIAL	THIRD ANGLE PROJECTION
SEE GENERAL NOTES	
FINISH	
N/A	



 Microflex Technologies 430 W COLLINS AVE, ORANGE, CA 92867			
TITLE: MICROSEAL ASSEMBLY, UNS N06022 SEAL, SERIES 60 SURFACE MOUNT, SEMI PR3.1 COMPONENT 2 PORT, 1.125" W			
SIZE	SCALE	DRAWING NO.	REV
C	2:1	MSA-028-211-H	6
DO NOT SCALE DRAWING			SHEET 1 OF 1