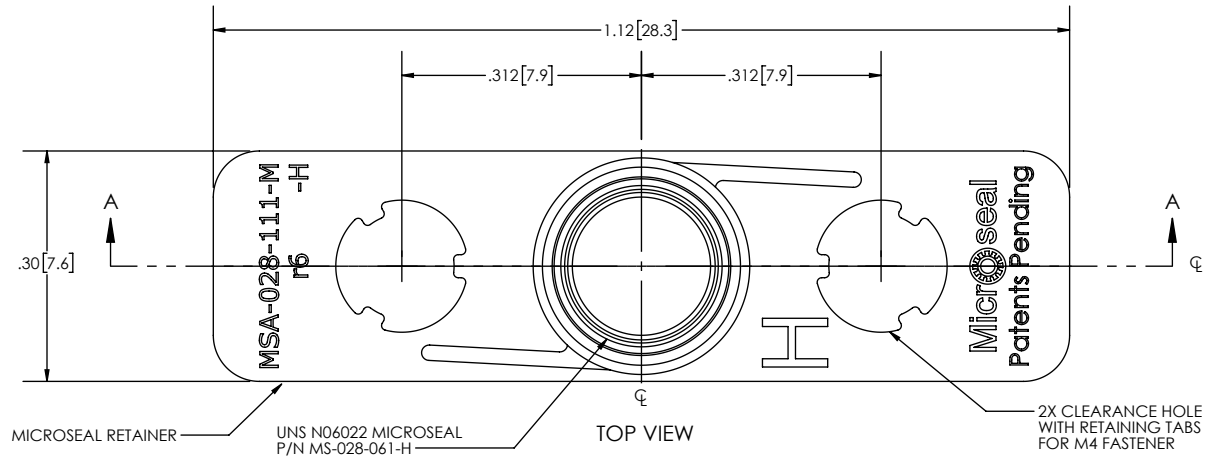


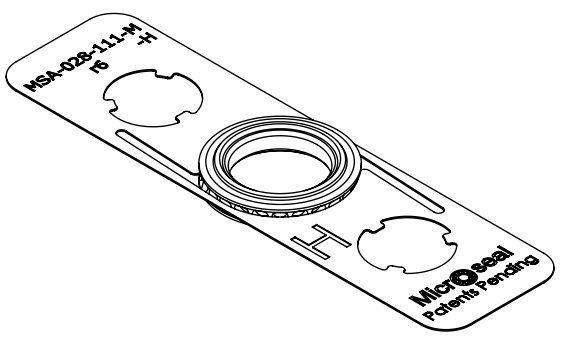
| REVISIONS | | | |
|-----------|-----------------|----------|---------|
| REV. | DESCRIPTION | APPROVED | DATE |
| 6 | INITIAL RELEASE | GMD | 4/12/21 |



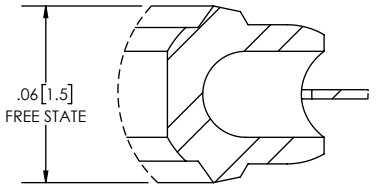
MICROSEAL RETAINER — UNS N06022 MICROSEAL P/N MS-028-061-H — TOP VIEW — 2X CLEARANCE HOLE WITH RETAINING TABS FOR M4 FASTENER



SECTION A-A



ISOMETRIC VIEW SCALE 3:1



DETAIL B SCALE 16:1

- GENERAL NOTES:
1. PACKAGING: TRIPLE BAG
 2. RETAINER MATERIAL: STAINLESS STEEL 300 SERIES
 3. SEAL MATERIAL: UNS N06022

MICROFLEX TECHNOLOGIES PROPRIETARY INFORMATION
 THIS DRAWING IS THE EXCLUSIVE PROPERTY OF MICROFLEX TECHNOLOGIES LLC, AND EMBODIES A CONFIDENTIAL DESIGN. IT HAS BEEN FORWARDED TO YOU IN STRICT CONFIDENCE FOR A SPECIFIC PURPOSE AND AS A RECIPIENT YOU AGREE NOT TO USE, DISCLOSE, REPRODUCE OR COPY IT IN WHOLE OR IN PART WITHOUT THE EXPRESS WRITTEN CONSENT OF MICROFLEX TECHNOLOGIES LLC, AND TO IMMEDIATELY RETURN THE DRAWING UPON REQUEST.

| UNLESS OTHERWISE SPECIFIED: | APPROVALS | DATE |
|--|------------------------|---------|
| DIMENSIONS ARE IN INCHES DIMENSIONS IN [] ARE IN MILLIMETERS | DRWG: JWM | 7/30/24 |
| TOLERANCES: | ENG: JWM | 7/30/24 |
| FRACTIONAL ± N/A | CAL: GMD | 7/30/24 |
| ANGULAR: MACH ± .5° | THIRD ANGLE PROJECTION | |
| TWO PLACE DECIMAL ± .01 | | |
| THREE PLACE DECIMAL ± .003 | | |
| MATERIAL: SEE GENERAL NOTES | | |
| FINISH: N/A | | |

| | | | |
|---|-------|-----------------|--------------|
| <p>Microflex Technologies 430 W COLLINS AVE, ORANGE, CA 92867</p> | | | |
| TITLE: MICROSEAL ASSEMBLY, UNS N06022 SEAL, SERIES 60 SURFACE MOUNT, SEMI PR3.1 MODULAR MANIFOLD, 1-1/8" W | | | |
| SIZE | SCALE | DRAWING NO. | REV |
| C | 4:1 | MSA-028-111-M-H | 6 |
| DO NOT SCALE DRAWING | | | SHEET 1 OF 1 |