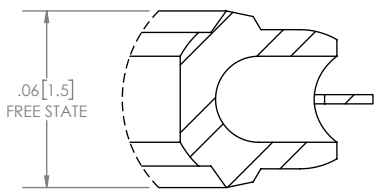
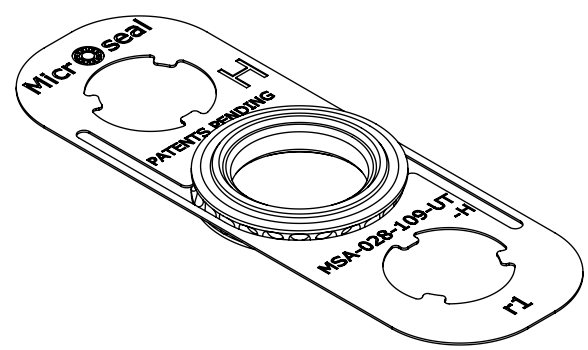
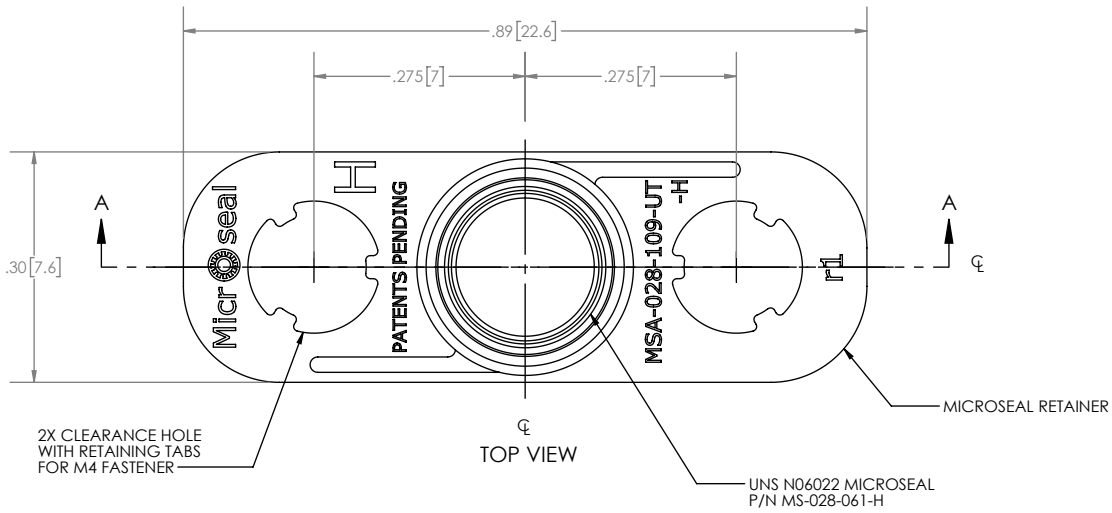


REVISIONS			
REV.	DESCRIPTION	APPROVED	DATE
1	INITIAL		



DETAIL B
SCALE 16 : 1

DRAFT

ISOMETRIC VIEW

- GENERAL NOTES:
1. PACKAGING: TRIPLE BAG
 2. RETAINER MATERIAL: STAINLESS STEEL 300 SERIES
 3. SEAL MATERIAL: UNS N06022

MICROFLEX TECHNOLOGIES PROPRIETARY INFORMATION
THIS DRAWING IS THE EXCLUSIVE PROPERTY OF MICROFLEX TECHNOLOGIES LLC, AND EMBODIES A CONFIDENTIAL DESIGN. IT HAS BEEN FORWARDED TO YOU IN STRICT CONFIDENCE FOR A SPECIFIC PURPOSE AND AS A RECIPIENT YOU AGREE NOT TO USE, DISCLOSE, REPRODUCE OR COPY IT IN WHOLE OR IN PART WITHOUT THE EXPRESS WRITTEN CONSENT OF MICROFLEX TECHNOLOGIES LLC, AND TO IMMEDIATELY RETURN THE DRAWING UPON REQUEST.

UNLESS OTHERWISE SPECIFIED:	
DIMENSIONS ARE IN INCHES DIMENSIONS IN [] ARE IN MILLIMETERS	
TOLERANCES:	
FRACTIONAL ± N/A	
ANGULAR: MACH ± .5°	
TWO PLACE DECIMAL ± .01	
THREE PLACE DECIMAL ± .003	
MATERIAL	SEE GENERAL NOTES
FINISH	N/A

APPROVALS		DATE
DRWG: JWM		7/25/24
ENG: XXX		MM/DD/YY
GA: XXX		MM/DD/YY
THIRD ANGLE PROJECTION		

Microflex Technologies 430 W COLLINS AVE, ORANGE, CA 92867			
TITLE: MICROSEAL, SERIES 60 SINGLE UNS N06022 SEAL ASSEMBLY, TYPE 028 UTC			
SIZE	SCALE	DRAWING NO.	REV
C	4:1	MSA-028-109-UT-H	1
DO NOT SCALE DRAWING			SHEET 1 OF 1