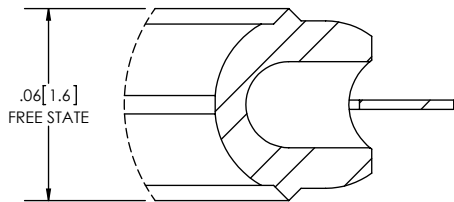
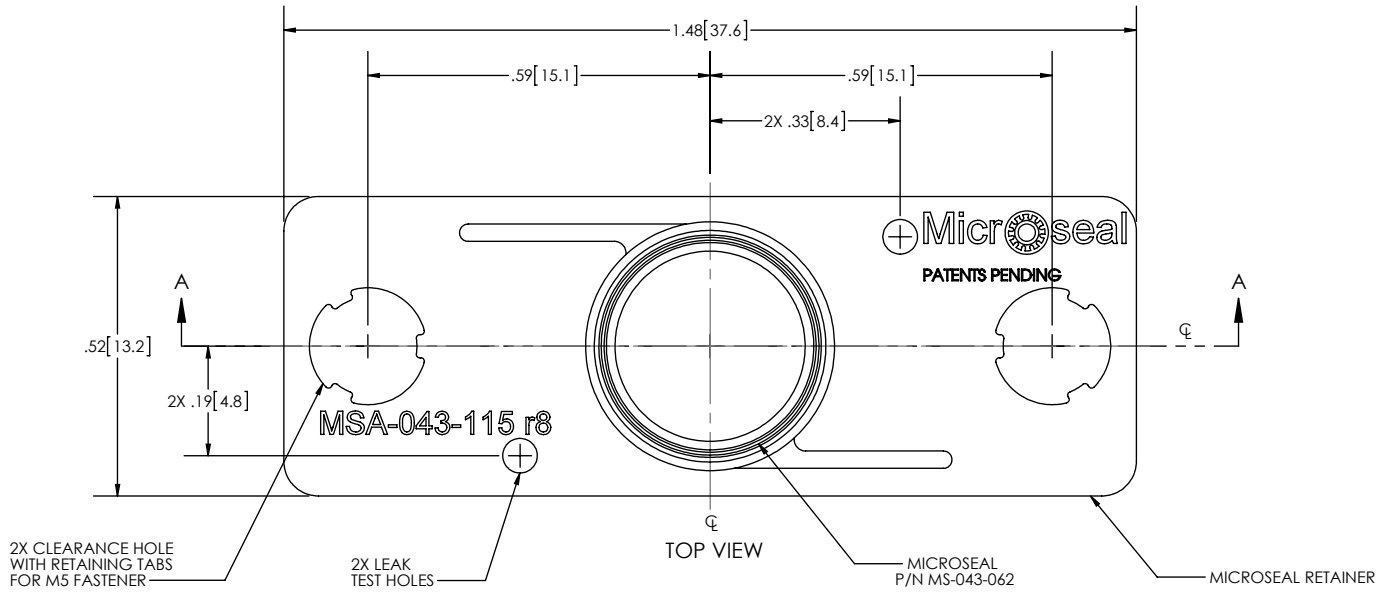
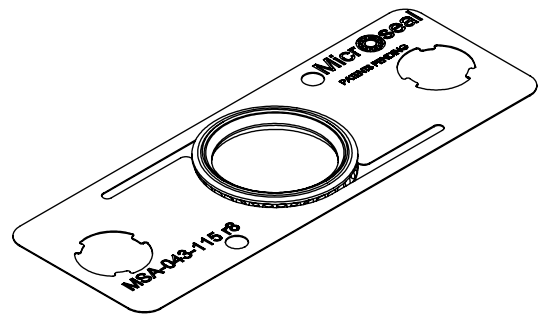


REVISIONS			
REV.	DESCRIPTION	APPROVED	DATE
8	CHG MOUNTING SPACING TO FIT 1.181" AND 1.188" FLANGE	MJD	09/06/12



DETAIL B
SCALE 16:1



ISOMETRIC VIEW
SCALE 2:1

GENERAL NOTES:
1. PACKAGING: TRIPLE BAG

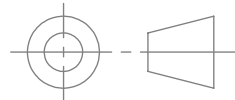
MICROFLEX TECHNOLOGIES PROPRIETARY INFORMATION
THIS DRAWING IS THE EXCLUSIVE PROPERTY OF MICROFLEX TECHNOLOGIES LLC, AND EMBODIES A CONFIDENTIAL DESIGN. IT HAS BEEN FORWARDED TO YOU IN STRICT CONFIDENCE FOR A SPECIFIC PURPOSE AND AS A RECIPIENT YOU AGREE NOT TO USE, DISCLOSE, REPRODUCE OR COPY IT IN WHOLE OR IN PART WITHOUT THE EXPRESS WRITTEN CONSENT OF MICROFLEX TECHNOLOGIES LLC, AND TO IMMEDIATELY RETURN THE DRAWING UPON REQUEST.

UNLESS OTHERWISE SPECIFIED:
DIMENSIONS ARE IN INCHES
DIMENSIONS IN [] ARE IN MILLIMETERS
TOLERANCES:
FRACTIONAL ± N/A
ANGULAR: MACH ± .5°
TWO PLACE DECIMAL ± .01
THREE PLACE DECIMAL ± .003

MATERIAL AS NOTED
FINISH AS NOTED

APPROVALS	DATE
DWG: JWM	12/18/14
ENG: MJD	09/06/12
QA: GMD	12/18/14

THIRD ANGLE PROJECTION



TITLE:			
MICROSEAL ASSEMBLY 1.5" COMPONENT, 1 PORT, HIGH FLOW			
SIZE	SCALE	DRAWING NO.	REV
C	3:1	MSA-043-115	8
DO NOT SCALE DRAWING			SHEET 1 OF 1