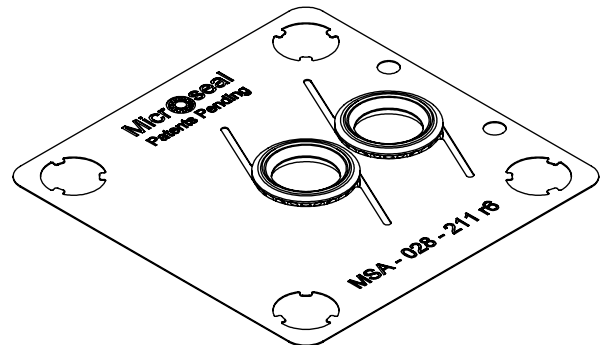
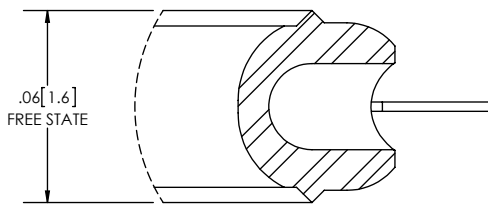
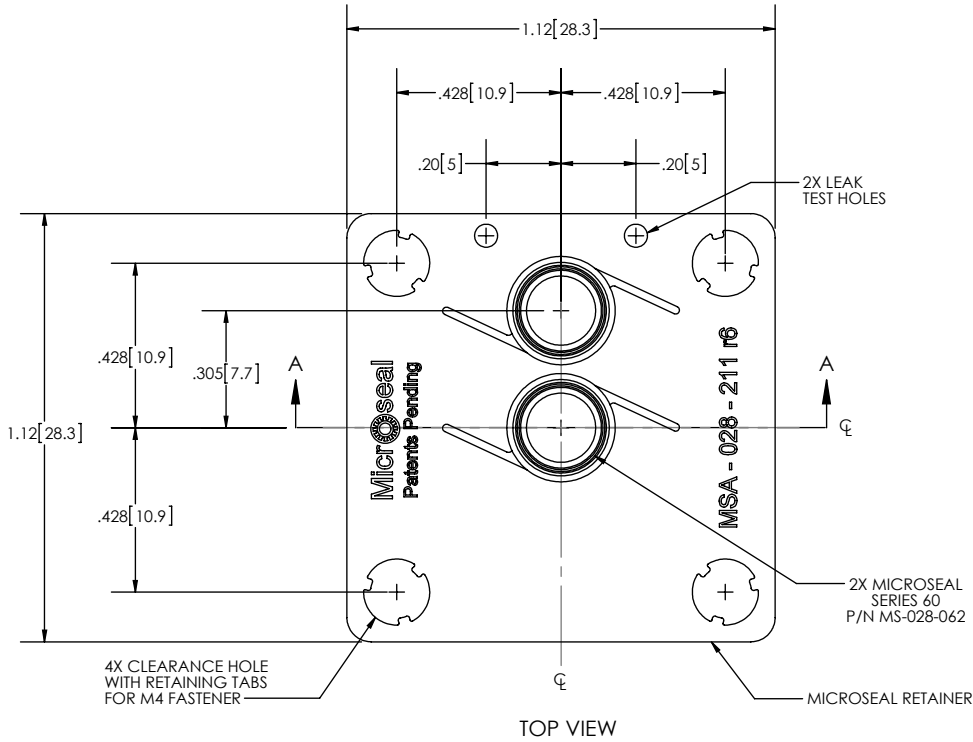


REVISIONS			
REV.	DESCRIPTION	APPROVED	DATE
6	REMOVED INDICATOR TABS	10/06/01	MJD



GENERAL NOTES:
1. PACKAGING: TRIPLE BAG

MICROFLEX TECHNOLOGIES PROPRIETARY INFORMATION
THIS DRAWING IS THE EXCLUSIVE PROPERTY OF MICROFLEX TECHNOLOGIES LLC, AND EMBODIES A CONFIDENTIAL DESIGN. IT HAS BEEN FORWARDED TO YOU IN STRICT CONFIDENCE FOR A SPECIFIC PURPOSE AND AS A RECIPIENT YOU AGREE NOT TO USE, DISCLOSE, REPRODUCE OR COPY IT IN WHOLE OR IN PART WITHOUT THE EXPRESS WRITTEN CONSENT OF MICROFLEX TECHNOLOGIES LLC, AND TO IMMEDIATELY RETURN THE DRAWING UPON REQUEST.

UNLESS OTHERWISE SPECIFIED:	
DIMENSIONS ARE IN INCHES DIMENSIONS IN [] ARE IN MILLIMETERS	
TOLERANCES:	
FRACTIONAL ± N/A	
ANGULAR: MACH ± .5°	
TWO PLACE DECIMAL ± .01	
THREE PLACE DECIMAL ± .003	
MATERIAL	N/A
FINISH	N/A

APPROVALS		DATE
DRWG. JWM		06/05/15
ENG. MJD		10/06/01
QA. GMD		06/05/15
THIRD ANGLE PROJECTION		

1185 E. Stanford Ct., Anaheim, CA 92805			
TITLE: MICROSEAL ASSEMBLY, SERIES 60 SURFACE MOUNT, SEMI PR3.1 COMPONENT 2 PORT, 1-1/8" W			
SIZE	SCALE	DRAWING NO.	REV
C	2:1	MSA-028-211	6
DO NOT SCALE DRAWING			SHEET 1 OF 1