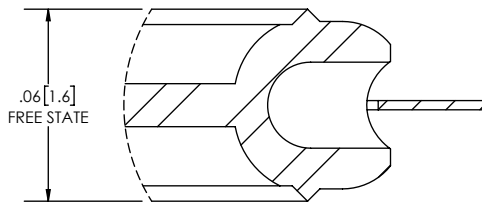
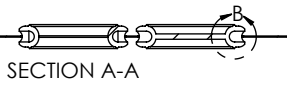
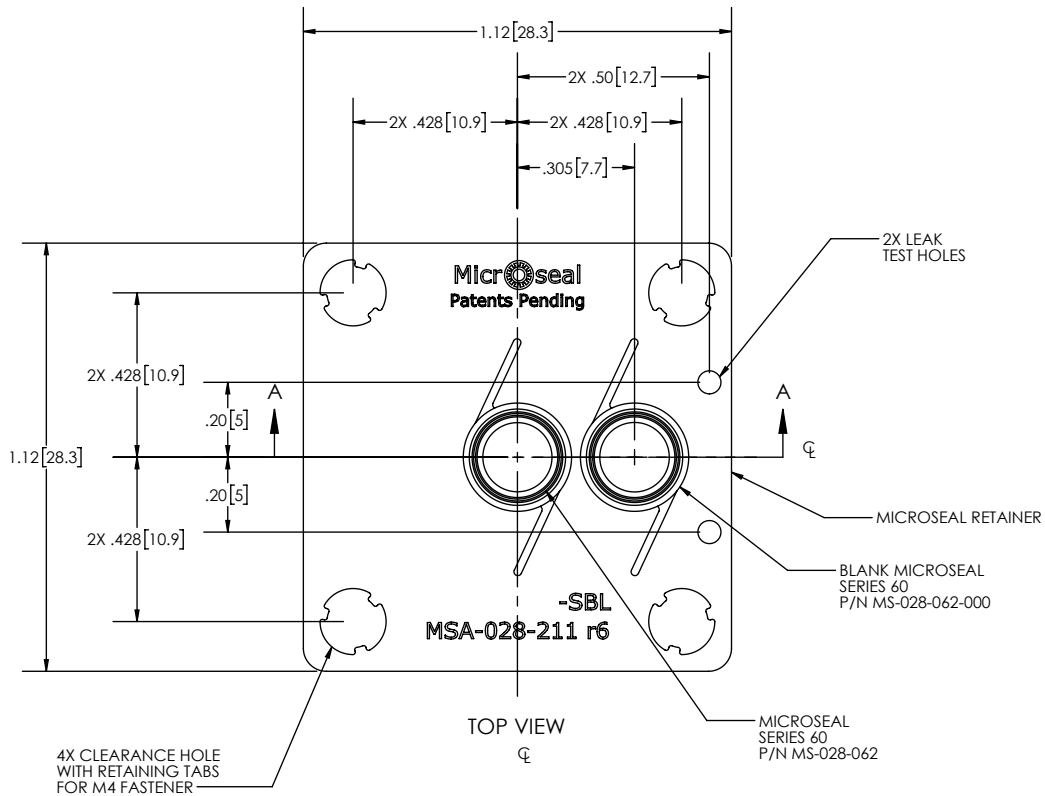
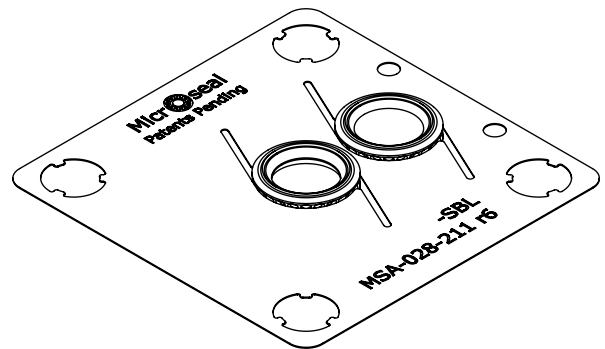


REVISIONS			
REV.	DESCRIPTION	APPROVED	DATE
6	REMOVED INDICATOR TABS	10/6/01	MJD



DETAIL B  
SCALE 16 : 1



ISOMETRIC VIEW

GENERAL NOTES:  
1. PACKAGING: TRIPLE BAG

**MICROFLEX TECHNOLOGIES PROPRIETARY INFORMATION**  
THIS DRAWING IS THE EXCLUSIVE PROPERTY OF MICROFLEX TECHNOLOGIES LLC. AND EMBODIES A CONFIDENTIAL DESIGN. IT HAS BEEN FORWARDED TO YOU IN STRICT CONFIDENCE FOR A SPECIFIC PURPOSE AND AS A RECIPIENT YOU AGREE NOT TO USE, DISCLOSE, REPRODUCE OR COPY IT IN WHOLE OR IN PART WITHOUT THE EXPRESS WRITTEN CONSENT OF MICROFLEX TECHNOLOGIES LLC. AND TO IMMEDIATELY RETURN THE DRAWING UPON REQUEST.

UNLESS OTHERWISE SPECIFIED:	
DIMENSIONS ARE IN INCHES	DWG: JWM
DIMENSIONS IN [ ] ARE IN MILLIMETERS	ENG: JWM
TOLERANCES:	CAL: GMD
FRACTIONAL ± N/A	
ANGULAR: MACH ± .5°	
TWO PLACE DECIMAL ± .01	
THREE PLACE DECIMAL ± .003	
MATERIAL	
N/A	
FINISH	
N/A	

APPROVALS	DATE
DWG: JWM	10/7/22
ENG: JWM	10/7/22
CAL: GMD	10/7/22
THIRD ANGLE PROJECTION	

TITLE: MICROSEAL ASSEMBLY, SERIES 60 SURFACE MOUNT, SEMI PR3.1 COMPONENT 2 PORT, 1-1/8" W, SIDE BLANK SEAL			
SIZE	SCALE	DRAWING NO.	REV
C	2:1	MSA-028-211-SBL	6
DO NOT SCALE DRAWING			SHEET 1 OF 1