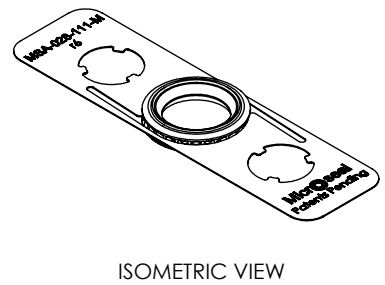
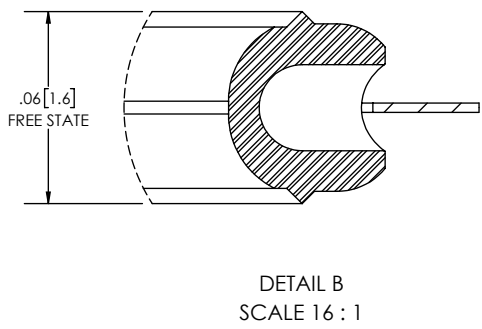
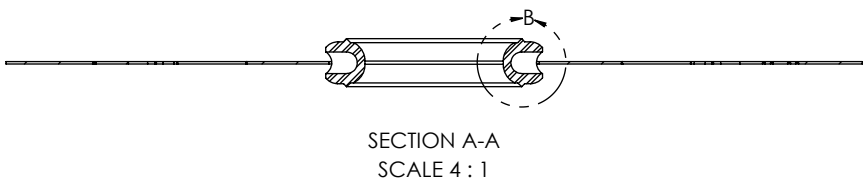
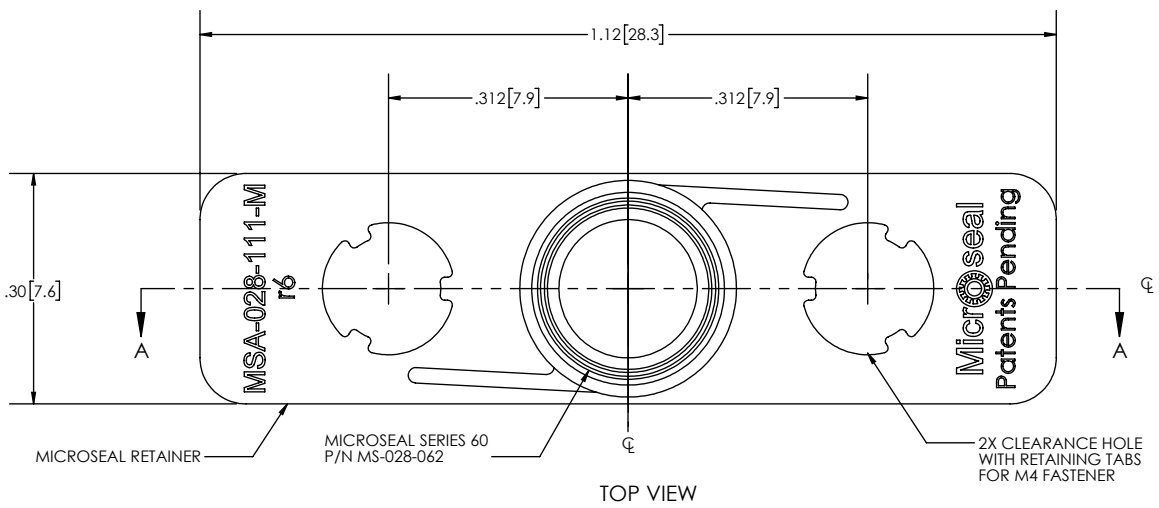


REVISIONS			
REV.	DESCRIPTION	APPROVED	DATE
6	REMOVED INDICATOR TABS	10/06/01	MJD



GENERAL NOTES:
1. PACKAGING: TRIPLE BAG

MICROFLEX TECHNOLOGIES PROPRIETARY INFORMATION
THIS DRAWING IS THE EXCLUSIVE PROPERTY OF MICROFLEX TECHNOLOGIES LLC. AND EMBODIES A CONFIDENTIAL DESIGN. IT HAS BEEN FORWARDED TO YOU IN STRICT CONFIDENCE FOR A SPECIFIC PURPOSE AND AS A RECIPIENT YOU AGREE NOT TO USE, DISCLOSE, REPRODUCE OR COPY IT IN WHOLE OR IN PART WITHOUT THE EXPRESS WRITTEN CONSENT OF MICROFLEX TECHNOLOGIES LLC. AND TO IMMEDIATELY RETURN THE DRAWING UPON REQUEST.

UNLESS OTHERWISE SPECIFIED: DIMENSIONS ARE IN INCHES DIMENSIONS IN [] ARE IN MILLIMETERS TOLERANCES: FRACTIONAL ± N/A ANGULAR: MACH ± .5° TWO PLACE DECIMAL ± .01 THREE PLACE DECIMAL ± .003	MATERIAL N/A	FINISH N/A
--	-----------------	---------------

APPROVALS	DATE
DRWG: JWM	06/05/15
ENGR: MJD	10/06/01
CSL: GMD	06/05/15
THIRD ANGLE PROJECTION	

<p>1185 E. Stanford Ct., Anaheim, CA 92805</p>			
TITLE: MICROSEAL ASSEMBLY 1.115" COMPONENT, 1 PORT			
SIZE C	SCALE 2:1	DRAWING NO. MSA-028-111-M	REV 6
DO NOT SCALE DRAWING			SHEET 1 OF 1