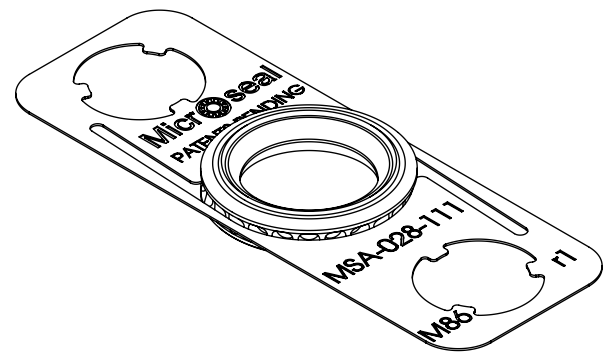
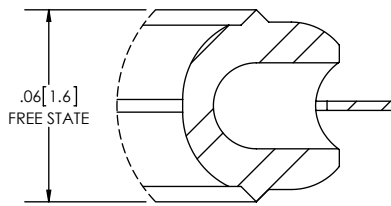
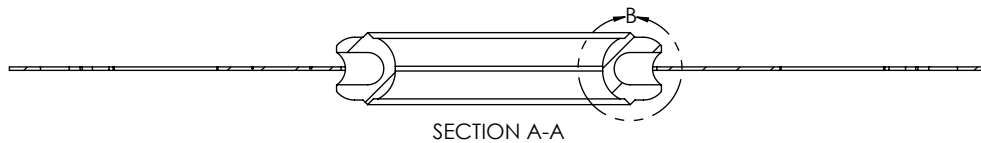
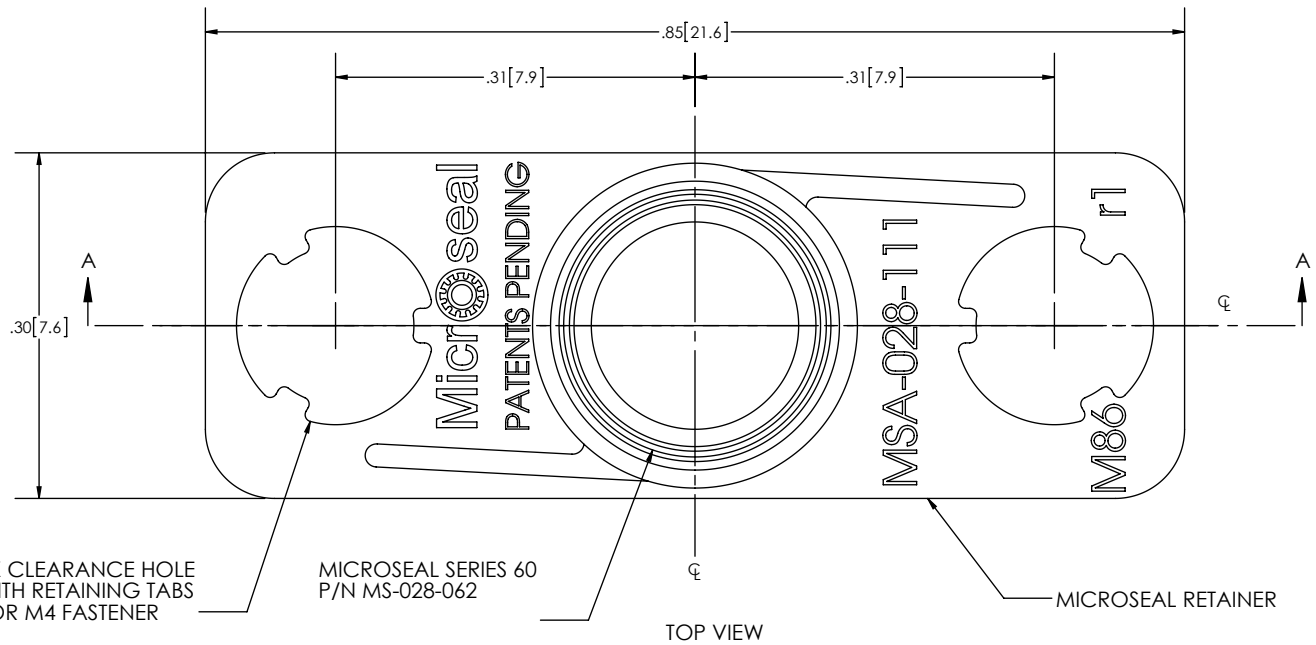


REVISIONS			
REV.	DESCRIPTION	APPROVED	DATE
1	INITIAL RELEASE	MJD	03/17/04



GENERAL NOTES:
1. PACKAGING: TRIPLE BAG

MICROFLEX TECHNOLOGIES PROPRIETARY INFORMATION
THIS DRAWING IS THE EXCLUSIVE PROPERTY OF MICROFLEX TECHNOLOGIES LLC, AND EMBODIES A CONFIDENTIAL DESIGN. IT HAS BEEN FORWARDED TO YOU IN STRICT CONFIDENCE FOR A SPECIFIC PURPOSE AND AS A RECIPIENT YOU AGREE NOT TO USE, DISCLOSE, REPRODUCE OR COPY IT IN WHOLE OR IN PART WITHOUT THE EXPRESS WRITTEN CONSENT OF MICROFLEX TECHNOLOGIES LLC, AND TO IMMEDIATELY RETURN THE DRAWING UPON REQUEST.

UNLESS OTHERWISE SPECIFIED:	
DIMENSIONS ARE IN INCHES DIMENSIONS IN [] ARE IN MILLIMETERS	
TOLERANCES:	
FRACTIONAL ± N/A	
ANGULAR: MACH ± .5°	
TWO PLACE DECIMAL ± .01	
THREE PLACE DECIMAL ± .003	
MATERIAL	N/A
FINISH	N/A

APPROVALS		DATE
DRWG: JWM		01/16/15
ENG: MJD		03/17/04
CAL: GMD		01/16/15
THIRD ANGLE PROJECTION		

1185 E. Stanford Ct., Anaheim, CA 92805			
TITLE: MICROSEAL RETAINER MODULAR SYSTEMS 1-1/8", PR3.1 MANIFOLD, 0.86" WIDTH			
SIZE	SCALE	DRAWING NO.	REV
C	2:1	MSA-028-111-M86	1
DO NOT SCALE DRAWING			SHEET 1 OF 1