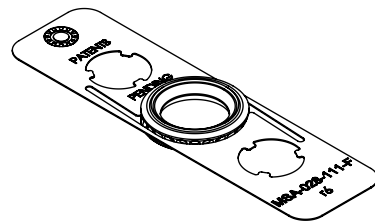
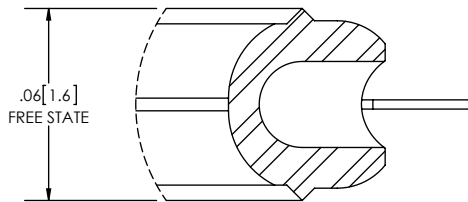
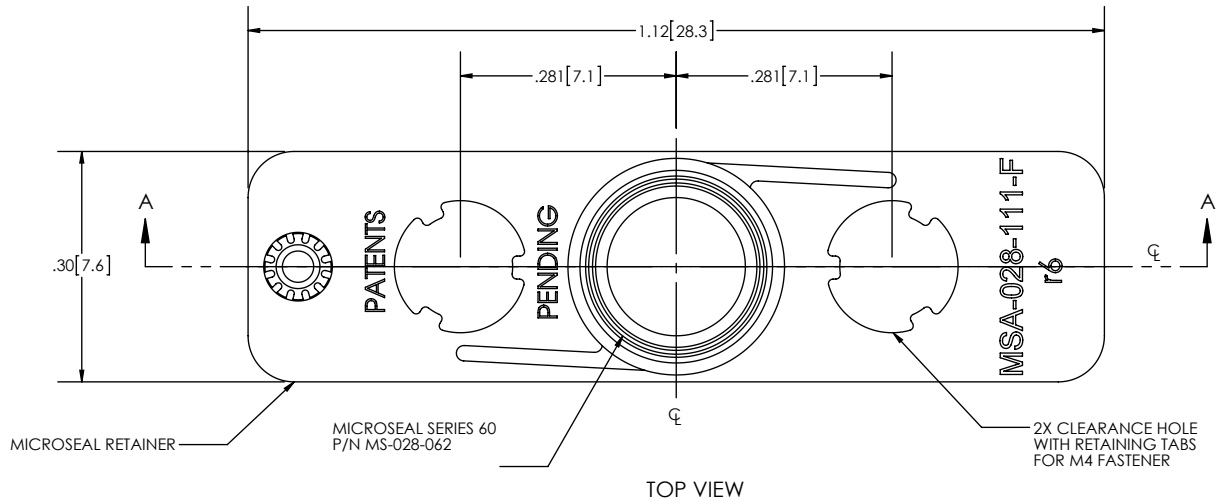


| REVISIONS | | | |
|-----------|------------------------|----------|------|
| REV. | DESCRIPTION | APPROVED | DATE |
| 6 | REMOVED INDICATOR TABS | 10/06/01 | MJD |



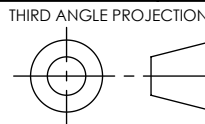
GENERAL NOTES:
1. PACKAGING: TRIPLE BAG


MICROFLEX TECHNOLOGIES PROPRIETARY INFORMATION

THIS DRAWING IS THE EXCLUSIVE PROPERTY OF MICROFLEX TECHNOLOGIES LLC, AND EMBODIES A CONFIDENTIAL DESIGN. IT HAS BEEN FORWARDED TO YOU IN STRICT CONFIDENCE FOR A SPECIFIC PURPOSE AND AS A RECIPIENT YOU AGREE NOT TO USE, DISCLOSE, REPRODUCE OR COPY IT IN WHOLE OR IN PART WITHOUT THE EXPRESS WRITTEN CONSENT OF MICROFLEX TECHNOLOGIES LLC, AND TO IMMEDIATELY RETURN THE DRAWING UPON REQUEST.

| | |
|--|-----|
| UNLESS OTHERWISE SPECIFIED: | |
| DIMENSIONS ARE IN INCHES DIMENSIONS IN [] ARE IN MILLIMETERS | |
| TOLERANCES: | |
| FRACTIONAL ± N/A | |
| ANGULAR: MACH ± .5° | |
| TWO PLACE DECIMAL ± .01 | |
| THREE PLACE DECIMAL ± .003 | |
| MATERIAL | N/A |
| FINISH | N/A |

| | |
|-----------|----------|
| APPROVALS | DATE |
| DRWG: JWM | 01/16/15 |
| ENG: MJD | 10/06/01 |
| QA: GMD | 01/16/15 |



| | | | |
|--|-------|---------------|--------------|
|  Microflex Technologies 1185 E. Stanford Ct., Anaheim, CA 92805 | | | |
| TITLE: MICROSEAL RETAINER MODULAR SYSTEM 1.1" W, 2787.1 FLANGE | | | |
| SIZE | SCALE | DRAWING NO. | REV |
| C | 2:1 | MSA-028-111-F | 6 |
| DO NOT SCALE DRAWING | | | SHEET 1 OF 1 |